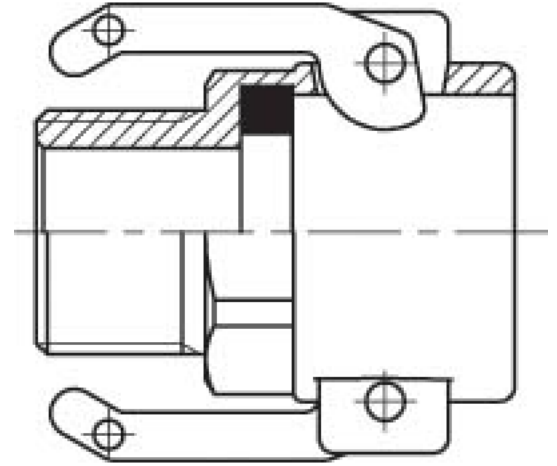




5021-00

CAMLOCK B FEMALE - BSP THREAD MALE, ALUMINUM



SPECIFICATIONS

Material	Aluminum	Connection 1 - Sealing	Gasket
Shape	Straight	Shape	Straight
Connection 1 - Camlock type	B		

Related Item: 1435-00, 1439-00, 1469-20

DESCRIPTION

The Camlock B female - BSP thread male Aluminum fitting features a straight design with a female camlock connection sealed by a gasket and a male BSP thread (G type) connection. Made from durable aluminum, this coupling belongs to the Coupling - Camlock family, ensuring reliable and lightweight performance for secure fluid transfer applications.

Item number	Type 1	Size 1	Type 1	Thread type 2	Type 2	Size 2	Type 2	Wp
50210008	Camlock	1/2"	Female	G	Thread	1/2"	Male	1 MPa
50210012	Camlock	3/4"	Female	G	Thread	3/4"	Male	1 MPa
50210016	Camlock	1"	Female	G	Thread	1"	Male	1 MPa
50210020	Camlock	1 1/4"	Female	G	Thread	1 1/4"	Male	1 MPa
50210024	Camlock	1 1/2"	Female	G	Thread	1 1/2"	Male	1 MPa
50210032	Camlock	2"	Female	G	Thread	2"	Male	1 MPa
50210040	Camlock	2 1/2"	Female	G	Thread	2 1/2"	Male	1 MPa
50210048	Camlock	3"	Female	G	Thread	3"	Male	1 MPa
50210064	Camlock	4"	Female	G	Thread	4"	Male	1 MPa
50210080	Camlock	5"	Female	G	Thread	5"	Male	0.5 MPa
50210096	Camlock	6"	Female	G	Thread	6"	Male	0.5 MPa