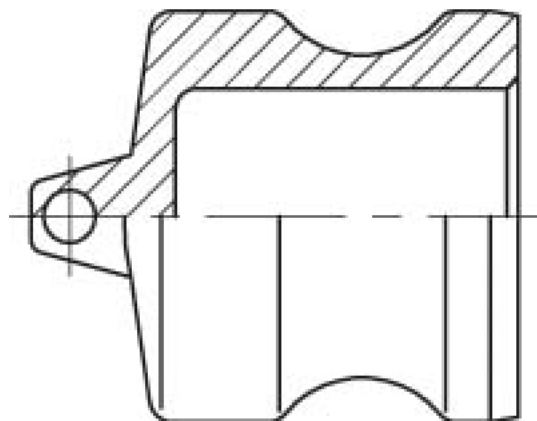




5027-20

CAMLOCK DP MALE PLUG, STAINLESS STEEL



SPECIFICATIONS

Material	Stainless Steel AISI 316	Connection 1 - Camlock type	DP
Shape	Plug	Shape	Plug

Related Item: 1435-00, 1439-00, 1469-20

DESCRIPTION

The Camlock DP male plug is a durable solution made from high-quality Stainless Steel AISI 316. Designed for reliable and secure connections, this plug features a DP camlock type and a male connection, making it ideal for various industrial applications. Its robust stainless steel construction ensures excellent corrosion resistance and long-lasting performance.

Item number	Type 1	Size 1	Type 1	Wp
50272008	Camlock	1/2"	Male	1 MPa
50272012	Camlock	3/4"	Male	1 MPa
50272016	Camlock	1"	Male	1 MPa
50272020	Camlock	1 1/4"	Male	1 MPa
50272024	Camlock	1 1/2"	Male	1 MPa
50272032	Camlock	2"	Male	1 MPa
50272040	Camlock	2 1/2"	Male	1 MPa
50272048	Camlock	3"	Male	1 MPa
50272064	Camlock	4"	Male	1 MPa
50272080	Camlock	5"	Male	0.5 MPa
50272096	Camlock	6"	Male	0.5 MPa