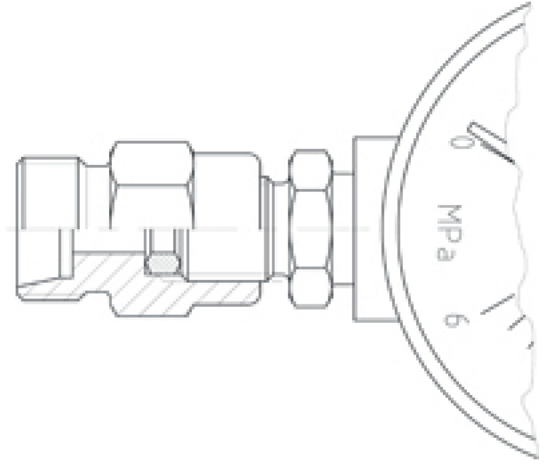




6103-1x

MAV BSP SEAL



SPECIFICATIONS

Material	Steel	Standard	DIN 2353
-----------------	-------	-----------------	----------

DESCRIPTION

The MAV BSP is a steel coupling spare part designed for reliable sealing performance. Its robust material ensures durability and strength, making it suitable for demanding industrial applications. This component belongs to the sealing family, providing secure and efficient connections in various mechanical systems.

Item number	Thread type 1	Size 1	Material
61031304	G	1/4"	Steel