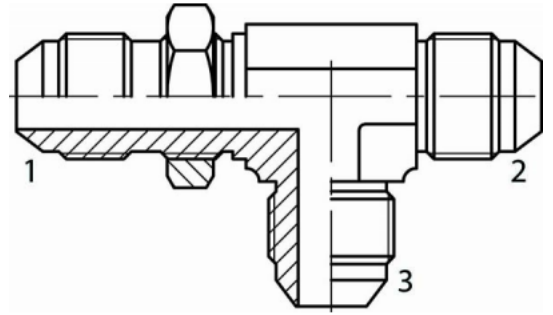




7610-xx

J LSV L-JOINT FITTING, BULKHEAD



SPECIFICATIONS

Type 1	Male	Shape	L
Type 2	Male	Material	Steel
Type 3	Male	Standard	ISO 8434-2

DESCRIPTION

The J LSV L-joint fitting, bulkhead, is a steel coupling designed in a T shape for secure and durable connections. Part of the Coupling - Adapter ORFS and JIC family, this bulkhead design ensures reliable performance in various industrial applications, combining strength and precision in a robust steel construction.

Item number	Pipe dim. 1	Size 1	Pipe dim. 2	Size 2	Pipe dim. 3	Size 3	Wp	Weight
76100707	6 mm	UNF 7/16"-20 Male	6 mm	UNF 7/16"-20 Male	6 mm	UNF 7/16"-20 Male	42 MPa	0.06 kg
76100909	10 mm	UNF 9/16"-18 Male	10 mm	UNF 9/16"-18 Male	10 mm	UNF 9/16"-18 Male	42 MPa	0.09 kg
76101212	12 mm	UNF 3/4"-16 Male	12 mm	UNF 3/4"-16 Male	12 mm	UNF 3/4"-16 Male	35 MPa	0.21 kg
76101414	14, 15, 16 mm	UNF 7/8"-14 Male	14, 15, 16 mm	UNF 7/8"-14 Male	14, 15, 16 mm	UNF 7/8"-14 Male	35 MPa	0.3 kg