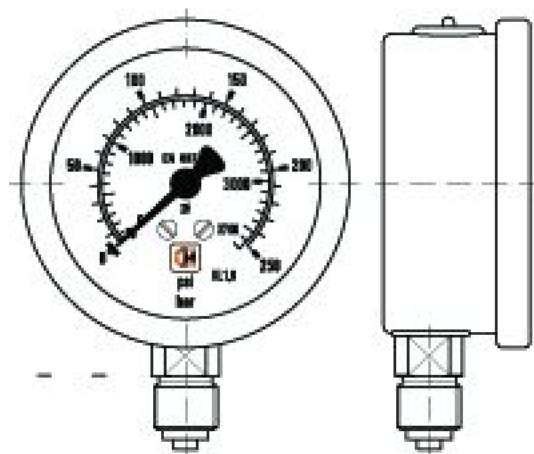




8360-02

MANOMETER 100 MM



SPECIFICATIONS

Technical - Precision

1

Material

Steel

Technical - Material - Quality

AISI 304

Thread type 1

G

DESCRIPTION

Shows scale bar/mpa. Filled with glycerin.

| Item number | Scale min | Scale max | Scale unit |
|-------------|-----------|-----------|------------|
| 836002001 | -1 bar | 0 bar | Bar/MPa |
| 836002002 | -1 bar | 5 bar | Bar/MPa |
| 836002003 | 0 bar | 2.5 bar | Bar/MPa |
| 836002004 | 0 bar | 4 bar | Bar/MPa |
| 836002005 | -1 bar | 3 bar | Bar/MPa |
| 836002006 | 0 bar | 6 bar | Bar/MPa |
| 836002007 | 0 bar | 0.7 bar | Bar/MPa |
| 836002008 | -1 bar | 1.5 bar | Bar/MPa |
| 836002009 | 0 bar | 1 bar | Bar/MPa |
| 83600201 | 0 bar | 10 bar | Bar/MPa |
| 836002010 | 0 bar | 0.6 bar | Bar/MPa |
| 836002011 | 0 bar | 1.6 bar | Bar/MPa |
| 836002013 | -1 bar | 9 bar | Bar/MPa |
| 836002016 | 0 bar | 16 bar | Bar/MPa |
| 836002025 | 0 bar | 25 bar | Bar/MPa |
| 83600204 | 0 bar | 40 bar | Bar/MPa |
| 83600206 | 0 bar | 60 bar | Bar/MPa |
| 83600210 | 0 bar | 100 bar | Bar/MPa |
| 836002100 | 0 bar | 1000 bar | Bar/MPa |
| 83600216 | 0 bar | 160 bar | Bar/MPa |
| 836002160 | 0 bar | 1600 bar | Bar/MPa |

| Item number | Scale min | Scale max | Scale unit |
|-------------|-----------|-----------|------------|
| 83600225 | 0 bar | 250 bar | Bar/MPa |
| 83600231 | 0 bar | 315 bar | Bar/MPa |
| 83600240 | 0 bar | 400 bar | Bar/MPa |
| 83600260 | 0 bar | 600 bar | Bar/MPa |