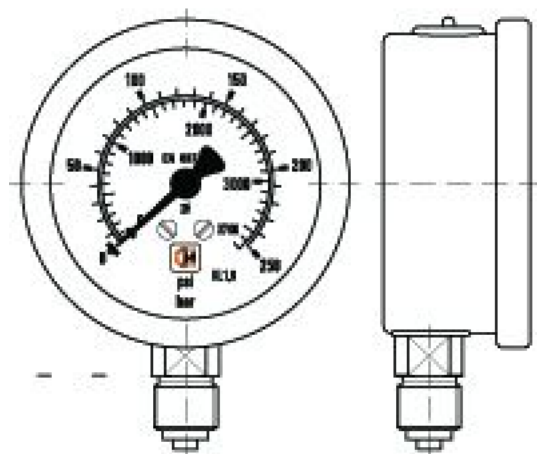




# 8360-03

## MANOMETER Ø100 MM



### SPECIFICATIONS

**Technical - Precision**

1

**Material**

Steel

**Technical - Material - Quality**

AISI 304

**Thread type 1**

G

### DESCRIPTION

The Manometer Ø100 mm is a precision instrument designed for accurate pressure measurement with a scale in Bar/MPa and a precision of 1. Constructed from high-quality AISI 304 steel, it features a durable glycerin fillment for smooth operation. The gauge includes a male G-thread connection and a down coupling design, making it a reliable choice in the Coupling - Manometer family.

Item number	Scale min	Scale max	Scale unit
836003001	-1 bar	0 bar	Bar/MPa
836003002	-1 bar	5 bar	Bar/MPa
836003003	0 bar	2.5 bar	Bar/MPa
836003004	0 bar	4 bar	Bar/MPa
836003005	-1 bar	3 bar	Bar/MPa
836003006	0 bar	6 bar	Bar/MPa
836003007	0 bar	7 bar	Bar/MPa
836003008	-1 bar	1.5 bar	Bar/MPa
836003009	0 bar	1 bar	Bar/MPa
83600301	0 bar	10 bar	Bar/MPa
836003010	0 bar	0.6 bar	Bar/MPa
836003011	0 bar	1.6 bar	Bar/MPa
836003012	-1 bar	0.6 bar	Bar/MPa
836003013	-1 bar	9 bar	Bar/MPa
836003014	-1 bar	15 bar	Bar/MPa
836003016	0 bar	16 bar	Bar/MPa
836003025	0 bar	25 bar	Bar/MPa
83600304	0 bar	40 bar	Bar/MPa
83600306	0 bar	60 bar	Bar/MPa
83600310	0 bar	100 bar	Bar/MPa

Item number	Scale min	Scale max	Scale unit
836003100	0 bar	1000 bar	Bar/MPa
83600316	0 bar	160 bar	Bar/MPa
836003160	0 bar	1600 bar	Bar/MPa
83600325	0 bar	250 bar	Bar/MPa
83600331	0 bar	315 bar	Bar/MPa
83600340	0 bar	400 bar	Bar/MPa
83600360	0 bar	600 bar	Bar/MPa