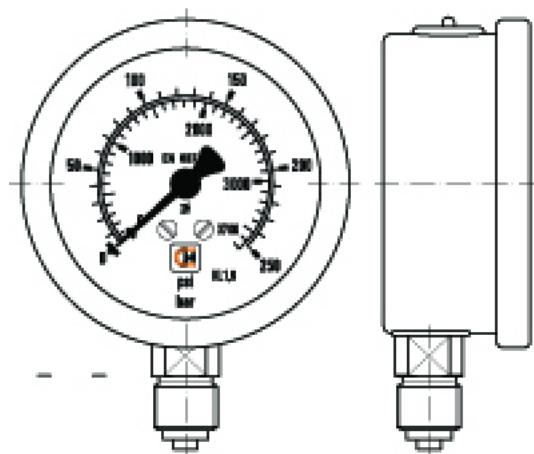




# 8360-40

## MANOMETER Ø160 MM



### SPECIFICATIONS

**Technical - Precision**  
**Material**

1  
Steel

**Thread type 1**

G

### DESCRIPTION

Shows scale bar/mpa

Item number	Scale min	Scale max	Scale unit
836040001	-1 bar	0 bar	Bar/MPa
836040002	-1 bar	5 bar	Bar/MPa
836040003	0 bar	2.5 bar	Bar/MPa
836040004	0 bar	4 bar	Bar/MPa
836040005	-1 bar	3 bar	Bar/MPa
836040006	0 bar	6 bar	Bar/MPa
836040007	0 bar	0.7 bar	Bar/MPa
836040008	-1 bar	1.5 bar	Bar/MPa
836040009	0 bar	1 bar	Bar/MPa
83604001	0 bar	10 bar	Bar/MPa
836040010	0 bar	0.6 bar	Bar/MPa
836040011	0 bar	1.6 bar	Bar/MPa
836040013	-1 bar	9 bar	Bar/MPa
836040014	-1 bar	15 bar	Bar/MPa
836040016	0 bar	16 bar	Bar/MPa
836040025	0 bar	25 bar	Bar/MPa
83604004	0 bar	40 bar	Bar/MPa
83604006	0 bar	60 bar	Bar/MPa
83604010	0 bar	100 bar	Bar/MPa
836040100	0 bar	1000 bar	Bar/MPa
83604016	0 bar	160 bar	Bar/MPa

Item number	Scale min	Scale max	Scale unit
83604025	0 bar	250 bar	Bar/MPa
83604031	0 bar	315 bar	Bar/MPa
83604040	0 bar	400 bar	Bar/MPa
83604060	0 bar	600 bar	Bar/MPa