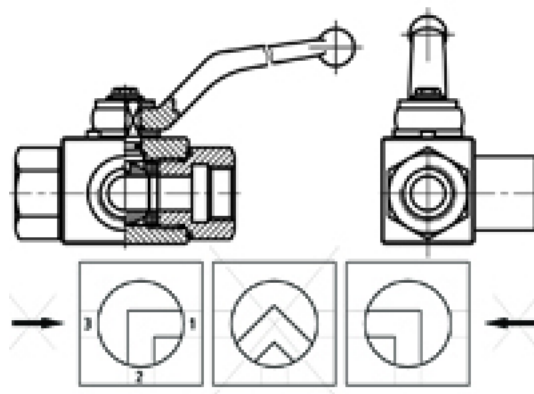




8641-xx

3-WAY BALL VALVE L-DRILLED - BSP FEMALE, STAINLESS STEEL



SPECIFICATIONS

Material	Stainless Steel AISI 316	Temp max	100 °C
Shape	L	Type 1	Thread
Design	Valve	Type 2	Thread
Sealing	POM/NBR	Type 3	Thread

DESCRIPTION

This 3-way L-drilled ball valve features BSP female threaded connections on all ports, crafted from durable Stainless Steel AISI 316. Designed for reliable fluid control, it includes POM/NBR valve sealing and supports a maximum working temperature of 100°C. Its robust construction and precise valve design ensure long-lasting performance in demanding applications.

Item number	DN size	Thread type 1	Size 1	Type 1	Thread type 2	Size 2	Type 2	Thread type 3	Size 3	Type 3	Wp
86410404	6	G	1/4"	Female	G	1/4"	Female	G	1/4"	Female	40 MPa
86410606	10	G	3/8"	Female	G	3/8"	Female	G	3/8"	Female	40 MPa
86410808	12	G	1/2"	Female	G	1/2"	Female	G	1/2"	Female	40 MPa
86411212	20	G	3/4"	Female	G	3/4"	Female	G	3/4"	Female	32 MPa
86411616	25	G	1"	Female	G	1"	Female	G	1"	Female	35 MPa